

6EHT1

SAFETY ORGANIZATION(S):

THIS FILTER HAS BEEN FORMALLY RECOGNIZED, CERTIFIED OR APPROVED BY THE LISTED AGENCY. THEREFORE, ALL TEST/REQUIREMENTS SPECIFIED IN THE LATEST REVISION OF THE FOLLOWING AGENCY STANDARDS HAVE BEEN MET.

UL RECOGNIZED
CSA CERTIFIED
VDE APPROVED
SEV PENDING

UL 544
CSA 22.2, NO.0,0.4,8
VDE 0565-3

OPERATING SPECIFICATIONS:

LINE VOLTAGE/CURRENT: 6 AMP, 120/250 VAC
5 AMP./40°C, 250 VAC

LINE FREQUENCY: 50-60Hz

MAX. LEAKAGE CURRENT, EACH:
LINE TO GROUND: 2 μ A at 120V 60Hz
5 μ A at 250V 50Hz

OPERATING AMBIENT TEMP. RANGE: -10°C TO +40°C @ RATED CURRENT, I_r

IN AN AMBIENT, T_a , HIGHER THAN 40°C, THE MAXIMUM OPERATING CURRENT, I_o , IS AS FOLLOWS:

$$I_o = I_r \sqrt{\frac{85 - T_a}{45}}$$

RELIABILITY SPECIFICATIONS:

STORAGE TEMPERATURE: -40°C TO +85°C
HUMIDITY: 21 DAYS @ 40°C 95% RH
CURRENT OVERLOAD TEST: 6 TIMES RATED CURRENT FOR 8 SECONDS

TEST SPECIFICATIONS:

INDUCTANCE: 18.5 mH NOMINAL
CAPACITANCE: (MEASURED @ 1 KHz, 0.25VAC MAX., 25°C±1°C)

LINE TO LINE: .94 μ F ±20%
DISCHARGE RESISTOR: 330K Ω

LINE/GROUND AND LINE/LINE: 6000M Ω (MIN) AT 100VDC
INSULATION RESISTANCE: 20°C AND 50% RH

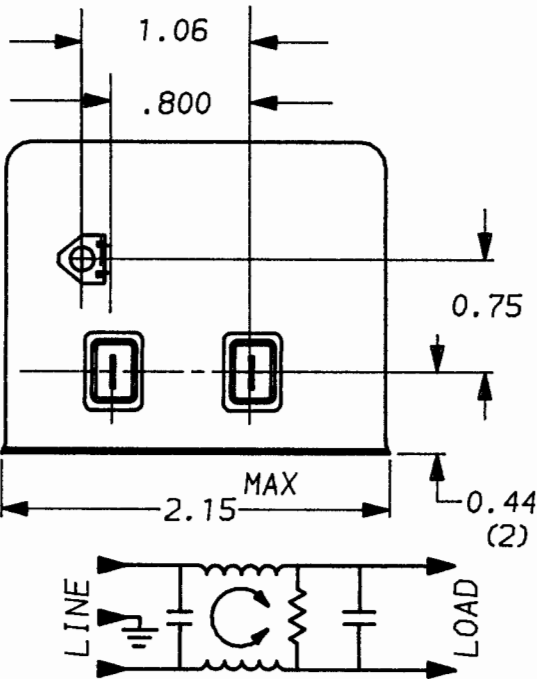
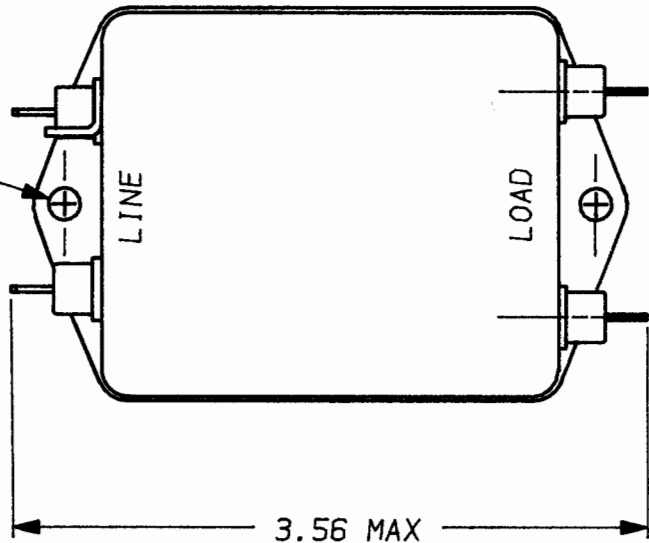
RECOMMENDED RECEIVING INSPECTION HIPOT:

LINES TO GROUND: 2250 VDC FOR 1 MINUTE
LINE TO LINE: 1450 VDC FOR 1 MINUTE

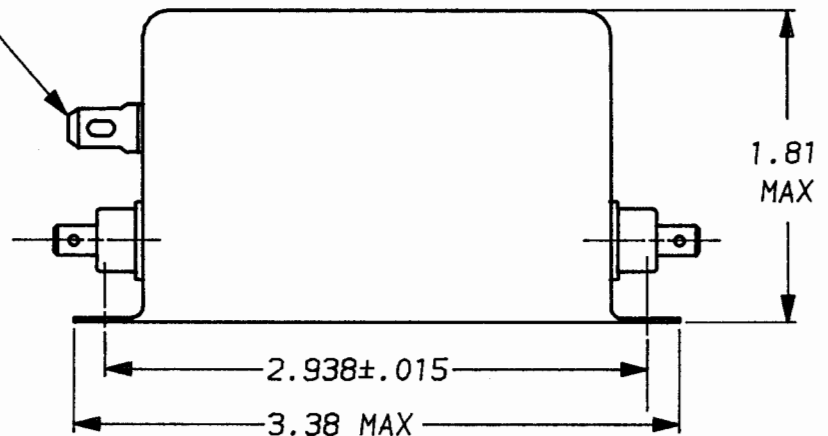
FILTER APPROVAL:

THE BEST WAY TO SELECT AND QUALIFY A FILTER IS FOR YOUR ENGINEERING TO TEST THE UNIT IN YOUR EQUIPMENT.

0.187±.010DIA
(2)



0.069 X 0.155 SLOT



50 Ω - 50 Ω (MINIMUM) INSERTION LOSS

FREQUENCY MHz	.01	.03	.05	.07	.15	.3	.5	1	2	5	8	10	20	30	/
COMMON dB	16	26	33	38	46	46	41	33	25	15	11	9	5	2	/
DIFF. dB	4	2	20	29	51	62	70	70	65	55	50	47	37	37	/

UNLESS OTHERWISE SPECIFIED,
TOLERANCE TO BE ±.025
MATERIAL & FINISH: AS SUPPLIED

corcom
LIBERTYVILLE, IL 60048

POWER LINE FILTER

This document is proprietary to CORCOM INC. and is not to be reproduced nor used for manufacturing purposes except on CORCOM's prior written consent.

DATE: 10-5-93 CATALOG NO.

APPRVD. T.A.M.

6EHT1

ECO NO.

6EHT1.02